



# INTENSE 77 EVO

ROLLING WORKSHOP AND INDUSTRIAL GATE



## PARAMETERS

### Maximum width

Aluminium overhead track 9 cm	450 cm
Aluminium overhead track 9 cm + storm hooks	640 cm

### Maximum height

Aluminium box 30 cm	300 cm
Aluminium box 30 cm at width doors over 450 cm	260 cm
Aluminium box 36 cm	410 cm
Aluminium box 40 cm	510 cm
Steel wall brackets 58 cm	600 cm

### Maximum surface area

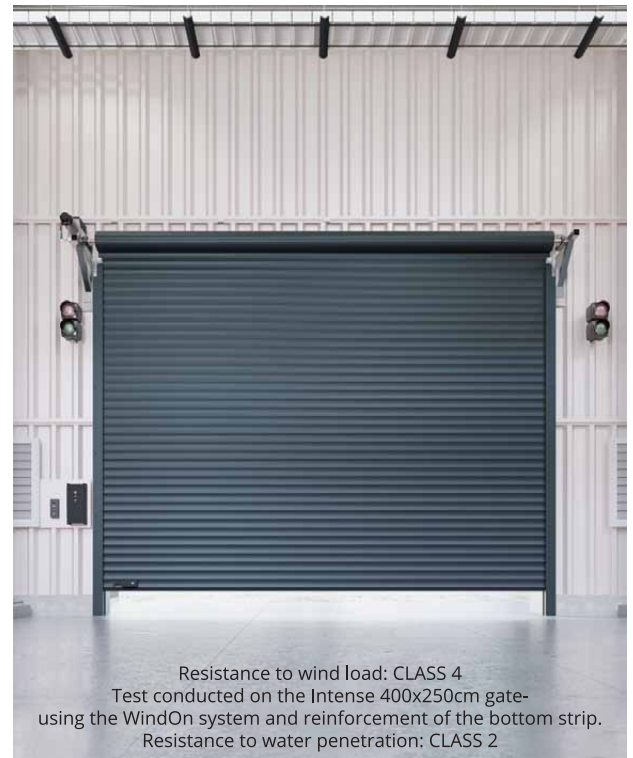
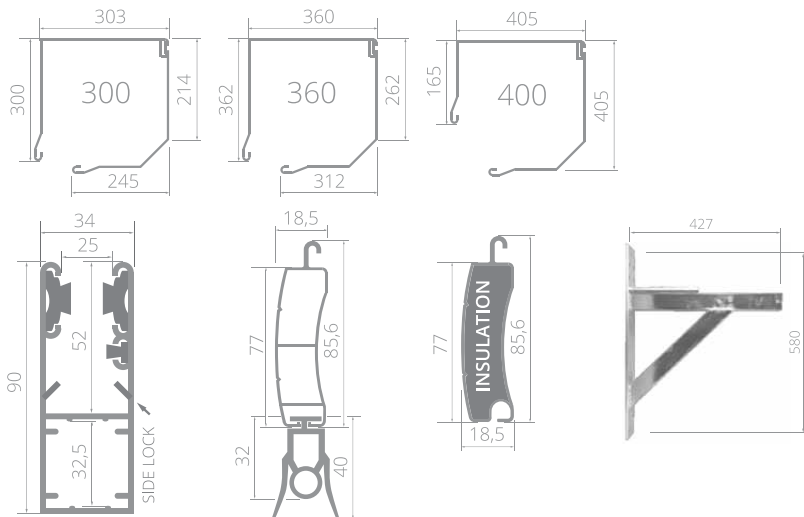
Aluminium sides	30 cm
Steel sides with wall brackets	36 / 40 cm
Wall brackets	58 cm

Insulated aluminium profile up to 640 cm, steel profile up to 350 cm

EasyLook profile	77
Ventilation profile	EasyLook 77
Profile height	WENT 77
Profile thickness	7,7 cm
Curtain weight	1,8 cm
Drives (available from 100 cm total width)*	5,5 kg/m <sup>2</sup>

\* ate with width below 100 cm is sold as a gate component

## DIMENSIONS

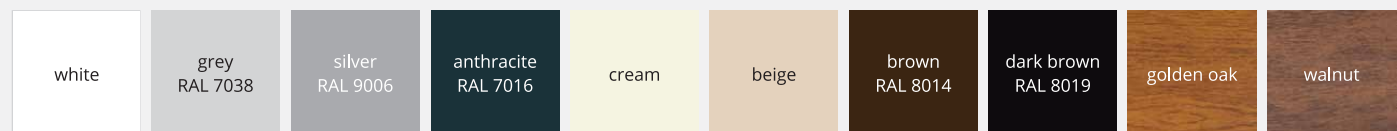


Resistance to wind load: CLASS 4  
 Test conducted on the Intense 400x250cm gate-  
 using the WindOn system and reinforcement of the bottom strip.  
 Resistance to water penetration: CLASS 2

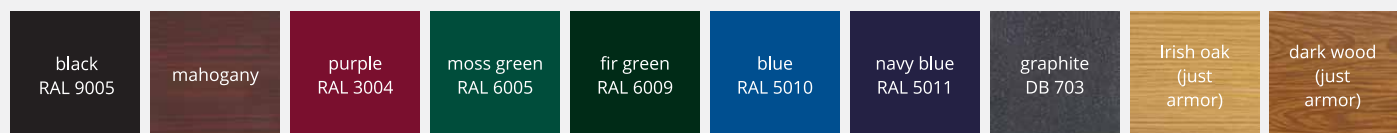


## COLOUR SCHEME

### STANDARD COLOURS



### ADDITIONAL COLOURS, SURCHARGE 20%



Steel profile, any RAL colour, max 350 cm length. Any RAL colour.



Painting of elements: armouring 20%, box 10%, bottom strip 5%, guides 5%.

Attention: The presented colours are for reference only and may slightly differ from the actual colours.

Gates with the width of 640 cm and above do not come in woodgrain colours, but only in RAL colours, without surcharges.