



MINI 52, MINI 55 EVO

GARAGE ROLLING GATES



PARAMETERS MINI 52

Maximum width	320 cm
Minimum width	100 cm
Maximum height	
Aluminium box 20,5 cm	250 cm
Aluminium box 25,4 cm	380 cm
Maximum surface area	9 m ²
Aluminium overhead	6,6 cm
Insulated aluminium profile	52
Profile height	5,2 cm
Profile thickness	1,3 cm
Curtain weight	3,1 kg/m ²
Manual drive (available from 100 cm total width) *	Lock + spring
Electric drives (available from 100 cm total width) *	POLFENEO somfy.

* with width below 100 cm is sold as a gate component



PARAMETERS MINI 55 EVO

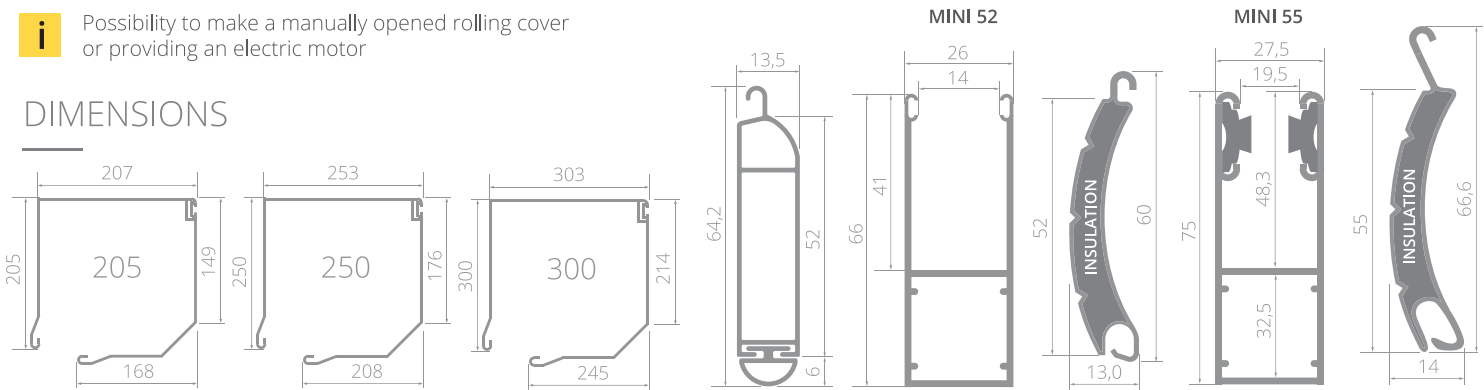
Maximum width	400 cm
Minimum width	100 cm
Maximum height	
Aluminium box 25,4 cm	300 cm
Aluminium box 30 cm	380 cm
Maximum surface area	12 m ²
Aluminium overhead	7,5 cm
Insulated aluminium profile	55
Profile height	5,5 cm
Profile thickness	1,4 cm
Curtain weight	3,5 kg/m ²
Manual drive (max width 300 cm, min width 100 cm) *	Lock + spring
Electric drives (available from 100 cm total width) *	POLFENEO somfy.

* with width below 100 cm is sold as a gate component



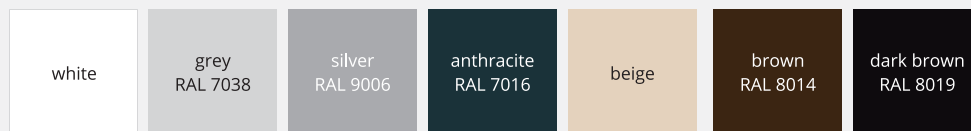
i Possibility to make a manually opened rolling cover or providing an electric motor

DIMENSIONS

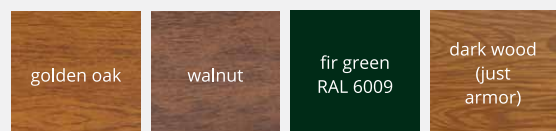


COLOUR SCHEME

STANDARD COLOURS



ADDITIONAL COLOURS, SURCHARGE 20%



Turn the cover into a gate by adding an inertial brake, bottom strip reinforcement * and a photo-optical strip **

MINI 52
max dimension as gate
300 cm x 300 cm

MINI 55
max dimension as gate
320 cm x 320 cm

* gate in totman mode
** gate in remote mode

20% surcharge for powder coating. Any RAL colour.



Painting of elements: box 10%, bottom strip 5%, guides 5%
Attention: The presented colours are for reference only and may slightly differ from the actual colours.